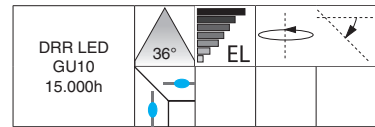


Housing: High-temperature resistant techno-polymer.

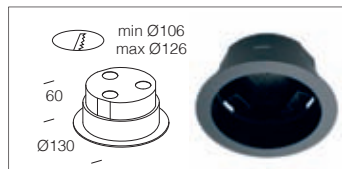
Standard supply: Supplied with adapter in track mounted versions.



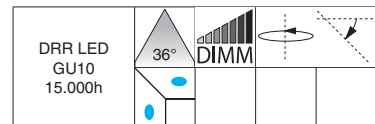
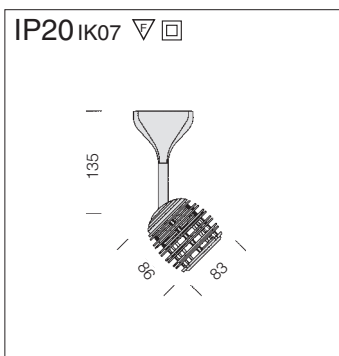
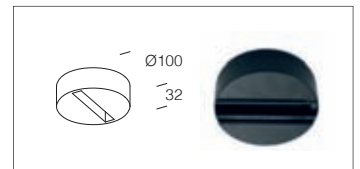
Kim 2 - universal adapter					
		CLD CELL		LED (Ta=36°C)	
wattage	colour	weight	code	W	K - ølm - CRI - degrees
LED	white	0,40	22031910-00	7	3000K - 520lm - CRI 80 - 36°
	black		22031930-00		
	m. silver		22031970-00		

Acc. recessed	
white	22091110-00
black	22091130-00
grey	22091170-00

To be used with acc. to recessed or suspended spotlights (22091510-00 / 22091530-00 / 22091570-00)



Acc. to recessed or suspended spotlights	
white	22091510-00
black	22091530-00
grey	22091570-00



Kim 2 - base					
		CLD CELL-D (IGBT)		LED (Ta=36°C)	
wattage	colour	weight	code	W	K - ølm - CRI - degrees
LED	white	0,30	22041011-00	7	3000K - 520lm - CRI 80 - 36°
	black		22041031-00		
	m. silver		22041071-00		

Dimmable version phase cutting IGBT dimming